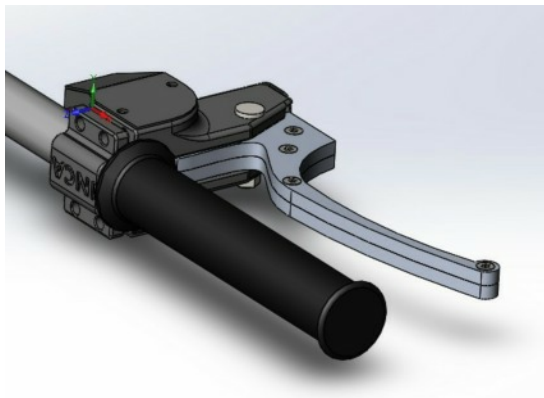


knijpgas

Medisch hulpmiddel klasse 1



Description

A lever that replaces traditional gas by means of manual steering. By turning the throttle lever harder or softer you can control the speed.

Features

- Handy;
- Applicable to a variety of electric vehicles;
- Manufactured for various industrial applications;
- Left and right handed applicable;



Technical data

Handle	Aluminium
Housing	ABS Recy
Cover	Steel PU Coated
Voltage	0.5, 12V
Distance	5kDhm
Output Smoothness	5%
Mocro Switch	IP 67
Cable	5x0,75mm ² 0.5 mtr
Connector	5P Superseal